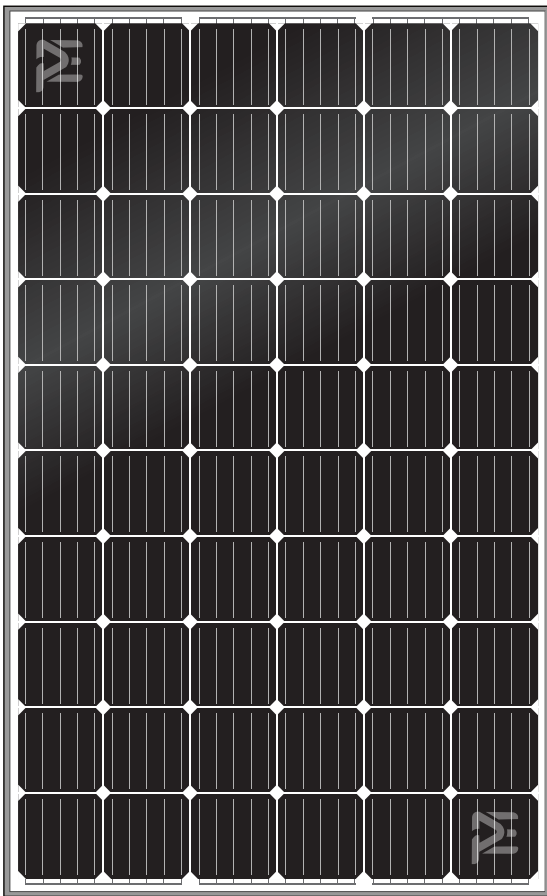


25 YEARS
OF ENERGISING
CHANGE

**PREMIER
ENERGIES**
(FORMERLY PREMIER SOLAR SYSTEMS)

**60 CELL
SOLAR PV
MODULE
MONO PERC**



315-330 W

Reach us at -



sales@premierenergies.com



www.premierenergies.com

60 Cell Solar PV Module - Mono Perc 315-330 W

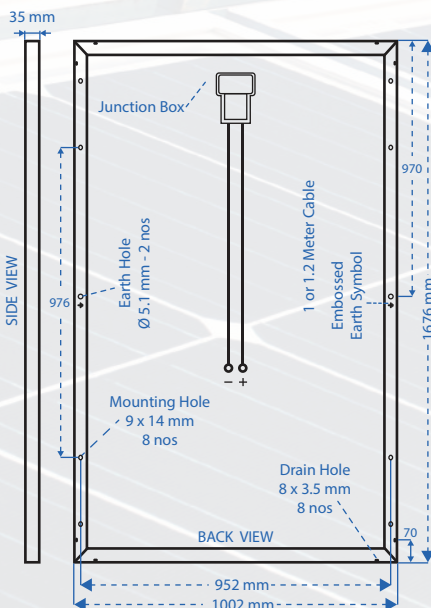
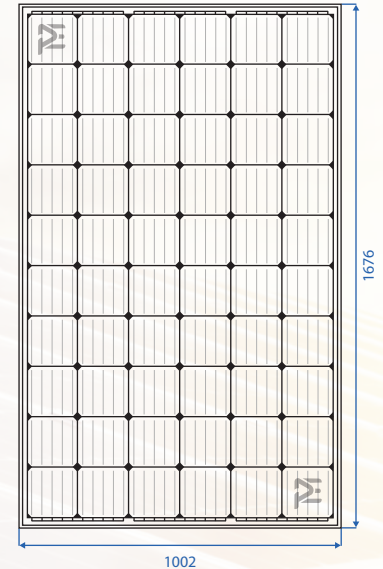
ELECTRICAL CHARACTERISTICS

Module Type	PSS-20315	PSS-20320	PSS-20325	PSS-20330
Maximum Power (Pmp)	315	320	325	330
Open Circuit Voltage (Voc)	39.28	39.32	39.36	39.40
Short Circuit Current (Isc)	10.21	10.36	10.51	10.66
Maximum Power Voltage (Vmp)	32.76	32.80	32.84	32.88
Maximum Power Current (Imp)	9.62	9.76	9.90	10.04
Module Efficiency (ηm)	18.76	19.05	19.35	19.65
Power Tolerance	(-0, +5W)			
Maximum System Voltage	1000V / 1500VDC			
Maximum Series Fuse Rating	15 A			

Irradiance 1000 W/m² module temperature 25°C AM=1.5

TEMPERATURE CHARACTERISTICS

Pmax Temperature Coefficient	-0.29%/°C
Voc Temperature Coefficient	-0.23%/°C
Isc Temperature Coefficient	0.07% / °C
Operating Temperature	-40°C TO +85°C
Nominal Operating Cell Temperature	45 ± 2°C



MECHANICAL SPECIFICATIONS

External Dimensions	1676 x 1002 x 35 mm
Weight	19.5 kg
Solar Cells	Mono PERC crystalline 158.75 x 158.75 mm
Front Glass	3.2 mm, High Transmission, Low Iron, Tempered Glass
Frame	Anodized Aluminium Alloy
Junction Box	IP67 Rated
Output Cable	4.0 Sqm, Length 1200 mm
Connector	MC4 Compatible
Mechanical Load	5400 Pa for Snow Load, 2400 Pa Wind Load

PACKING CONFIGURATION

Container	20' GP	40' GP
Pieces per Pallet	31	31
Pallets per Container	12	26
Pieces per Container	372	806

For more details, please consult Premier Energies.